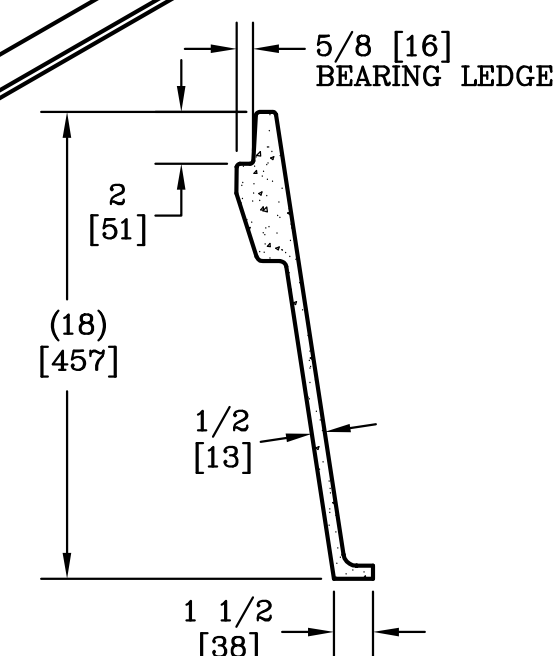
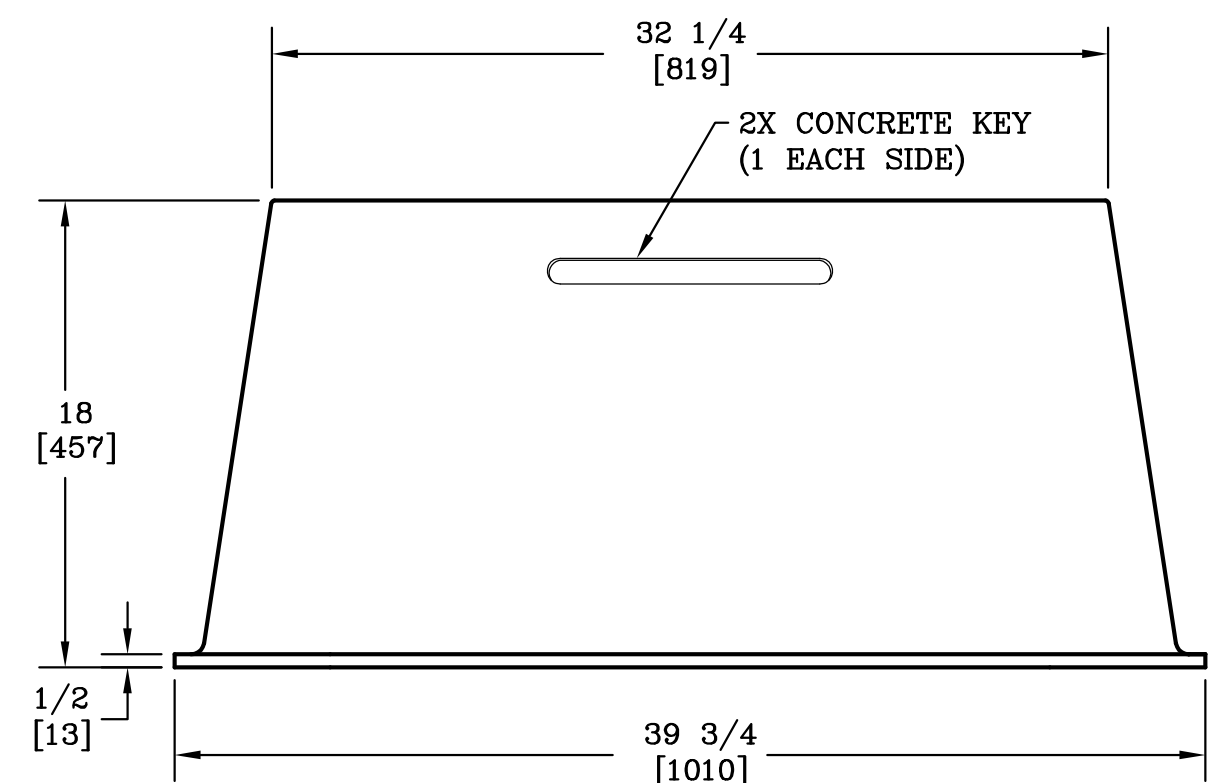


3/8-7 SELF ALIGNING,
REPLACEABLE S.S. EZ-NUT
2 PLACES

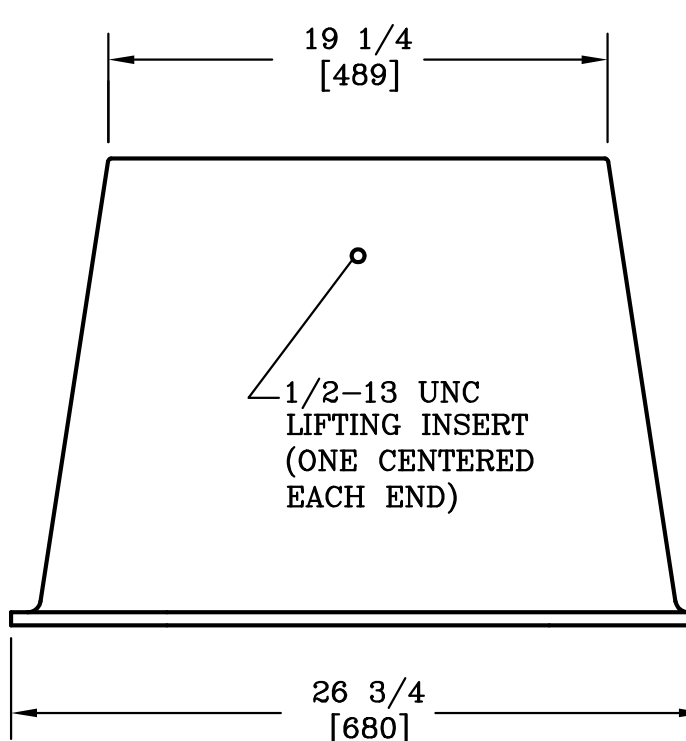


SECTION A-A

NOTE:
1. THIS BOX IS RATED FOR
ANSI/SCTE 77 2010 TIER 22.



2X CONCRETE KEY
(1 EACH SIDE)



1/2-13 UNC
LIFTING INSERT
(ONE CENTERED
EACH END)

CUSTOMER APPROVAL
APPROVED BY: _____
DATE: _____



DIMENSIONS ARE IN INCHES OR MILLIMETERS IN BRACKETS UNLESS OTHERWISE NOTED.				3621 INDUSTRIAL PARK DR LENOIR CITY, TN 37771 800-346-3062 www.quazite.com	LOC
DRN	BY	DATE	WEIGHT		S
CHK	ENG	APR	APR	SCALE	REV
				1 1/2"=1'	
				SIZE	
				B	
PROJECT NUMBER				DRAWING DESCRIPTION	
02325					
SHEET 1 OF 1				QUAZITE® BOX 17 X 30 X 18	E
DRAWING NUMBER					3/12
				PT1730BA18	